

DRAWING INDEX

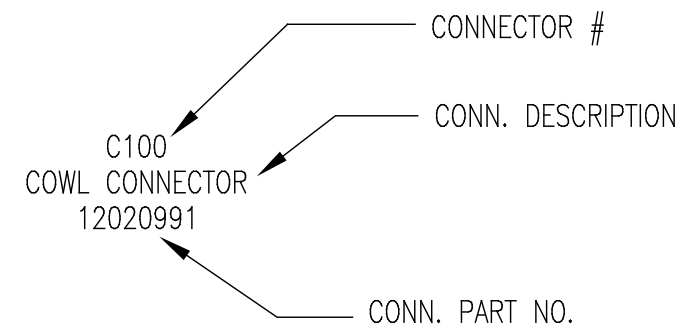
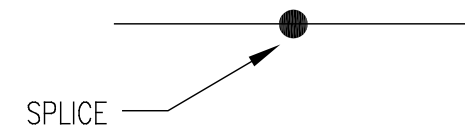
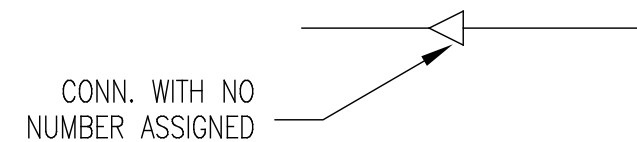
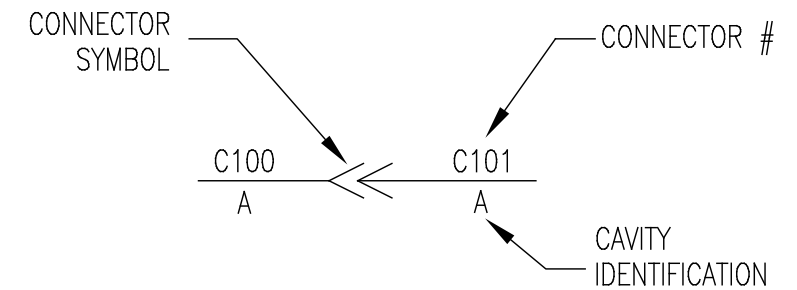
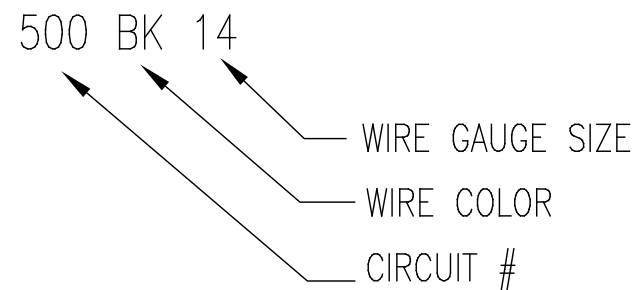
CONNECTOR VIEW.....2-3-4-5
 POWER DISTRIBUTION.....7-8-9
 GROUNDING DISTRIBUTION.....10
 SWITCHES.....11
 WIPER SYSTEM.....12
 HEATER ONLY.....13
 HEATER & AC.....14
 FORWARD LAMP WIRING.....15
 REAR LAMP WIRING.....16
 FRONT CLEARANCE LIGHT.....17
 REAR CLEARANCE LIGHT.....18
 CARGO LAMPS WIRING.....19
 CAB DOME LAMP.....20
 HAZARD FLASHER SYSTEM.....21
 PANEL LAMPS.....22
 RADIO.....23
 DOOR AJAR.....24
 POWER POINTS.....25

WIRE COLOR CODE:

- BK - BLACK
- BR - BROWN
- DB - DARK BLUE
- DG - DARK GREEN
- GY - GRAY
- LB - LIGHT BLUE
- LG - LIGHT GREEN
- OR - ORANGE
- PK - PINK
- RD - RED
- YL - YELLOW
- VT - VIOLET
- WT - WHITE

WIRE GAUGE CHART:

- 18 - 18 GA
- 16 - 16 GA
- 14 - 14 GA
- 12 - 12 GA

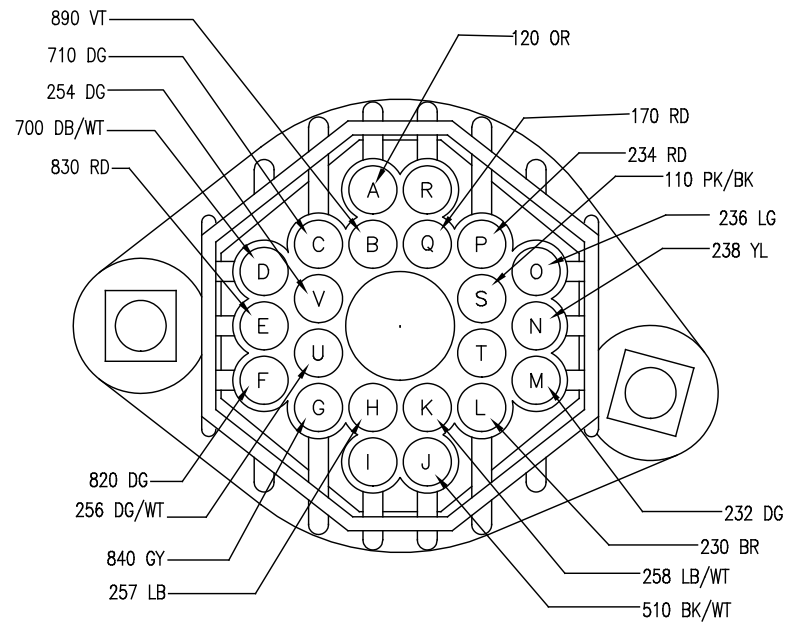


LEGEND

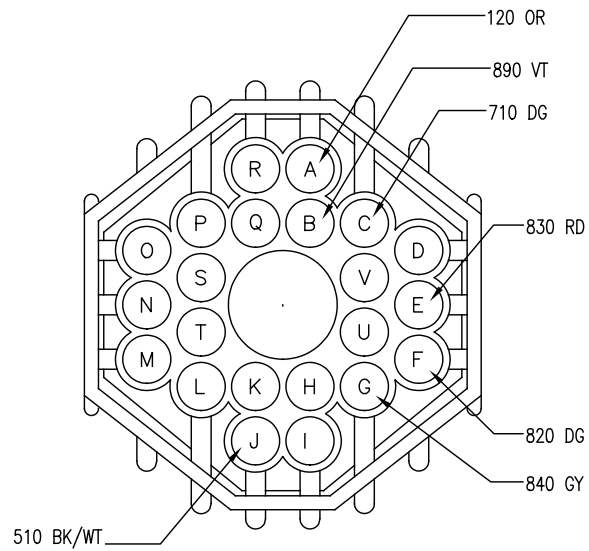
BATT	HOT AT ALL TIMES
IGN	HOT IN RUN OR START
ACC	HOT IN ACC OR RUN

NOTES:

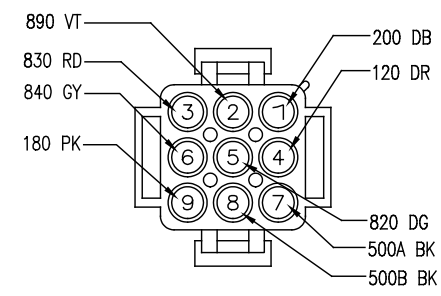
- 1) ALL CONNECTORS ARE SHOWN IN THE LOAD POSITION.
- 2) SPECIAL CUSTOMER OPTIONS MAY NOT BE COVERED BY THESE DIAGRAMS.



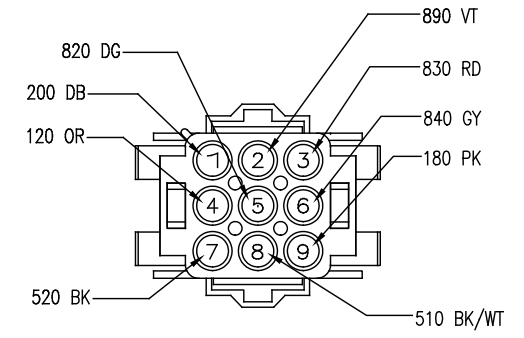
C100
COWL CONNECTOR
12020991



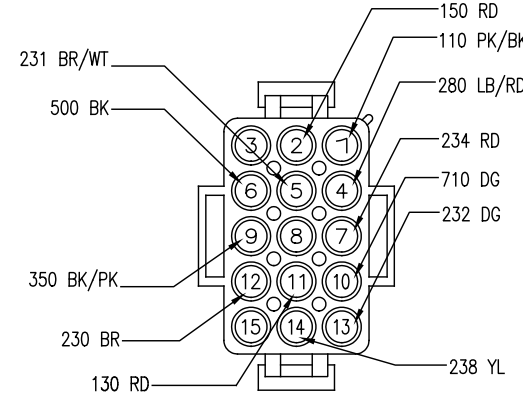
C101
COWL CONNECTOR
12020005



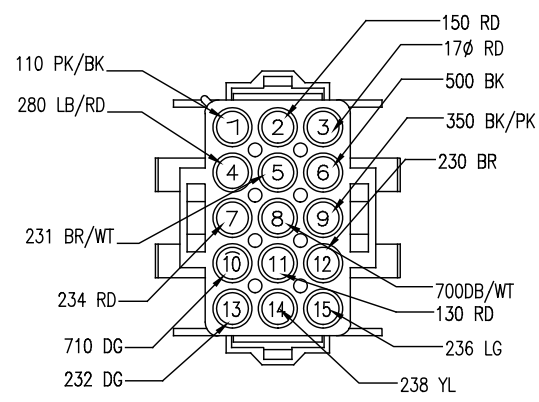
C110
POWER FEED #1 PLUG
770021-1



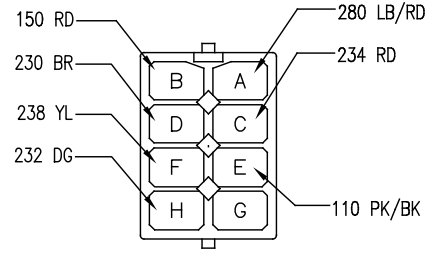
C111
POWER FEED #1 CAP
770028-1



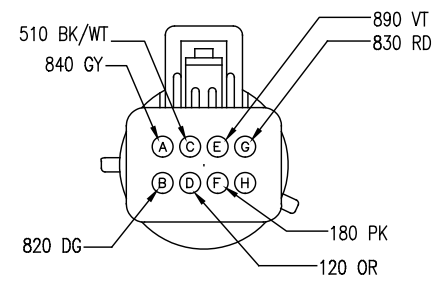
C112
POWER FEED #2 PLUG
770023-1
130 RD



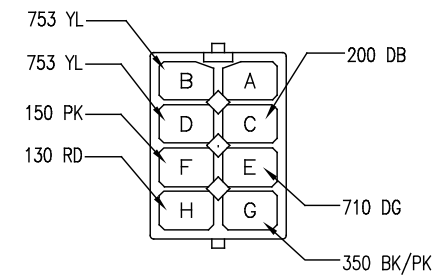
C113
POWER FEED #2 CAP
770030-1



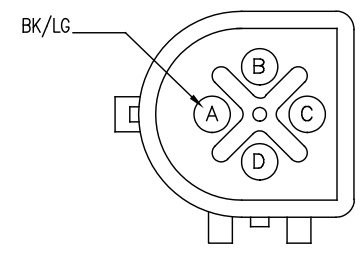
C114
INST-2
F2US-13A718-A



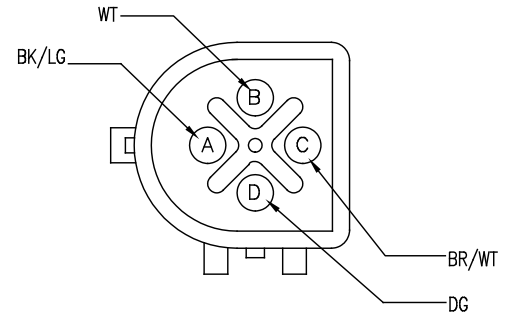
C115
INST-1
F2US-17B587-B



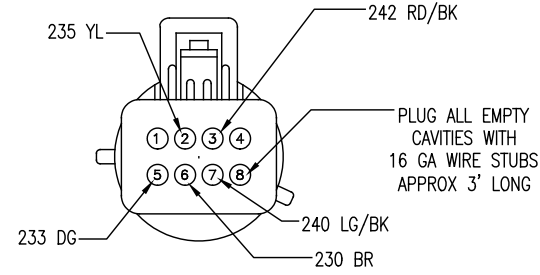
C116
INST-3
F2US-14370-A



C117
FORD TAILLIGHT JUMPER
F2US-14A411-B
(ORANGE CONNECTOR)

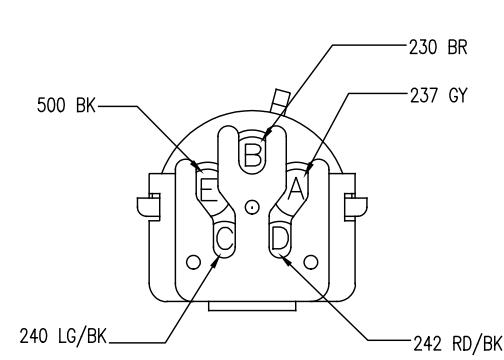


C118
FORD TAILLIGHT CONNECTOR
F2US-14A411-D
(BROWN CONNECTOR)

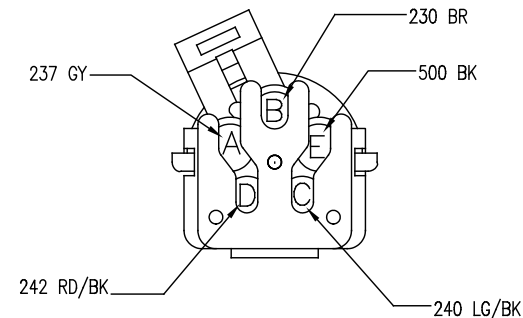


C200
HEADLAMP JUMPER CONNECTOR
12089040

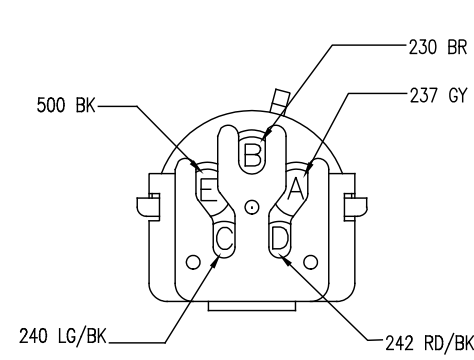
LEGEND	
	HOT AT ALL TIMES
	HOT IN RUN OR START
	HOT IN ACC OR RUN



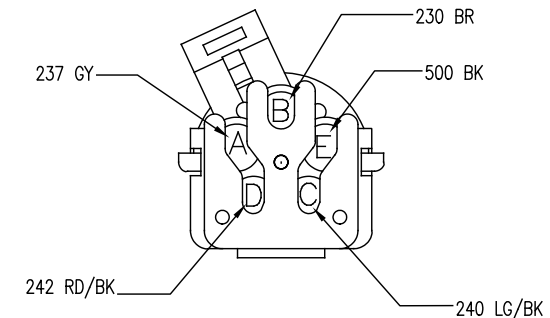
C202
RT HEADLAMP FEED
12065158



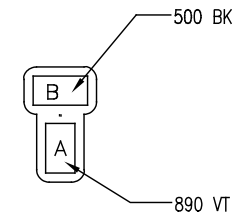
C203
RT HEADLAMP DIST
12034342



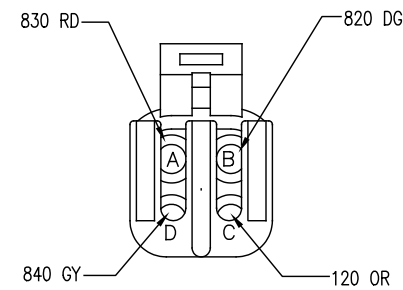
C204
LT HEADLAMP FEED
12065158



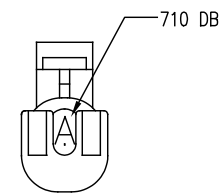
C205
LT HEADLAMP DIST
12034342



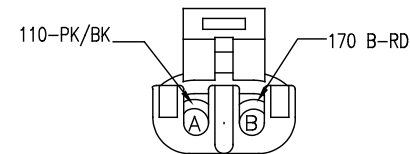
C206
WASHER PUMP
480115-1



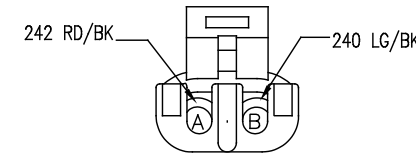
C207
WIPER MOTOR
12015798



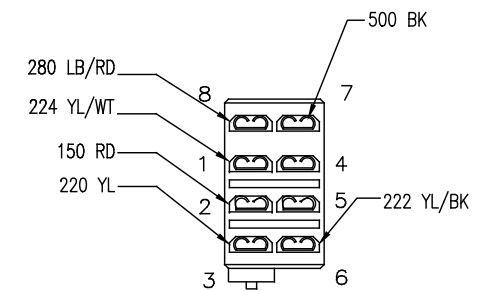
C208
WIPER GROUND
12015791



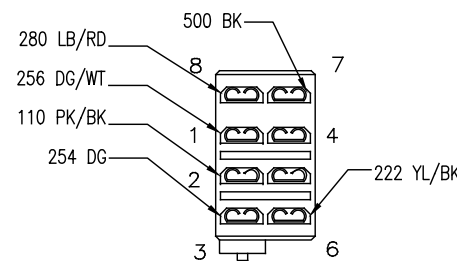
C209
DRL POWER CONNECTOR
12015792



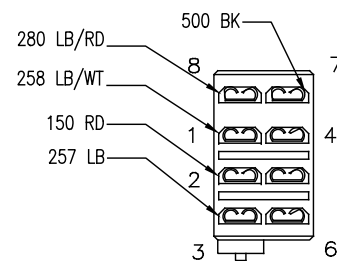
C210
DRL (DAYTIME RUNNING)
12015792



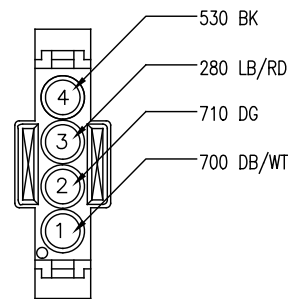
C301
AUXILIARY SW (BATTERY)
999-16716.001



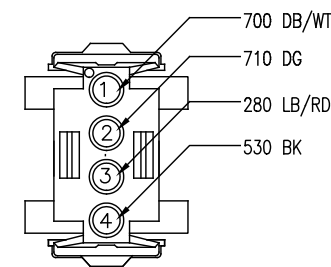
C302
AUXILIARY SW(IGNITION)
999-16716.001



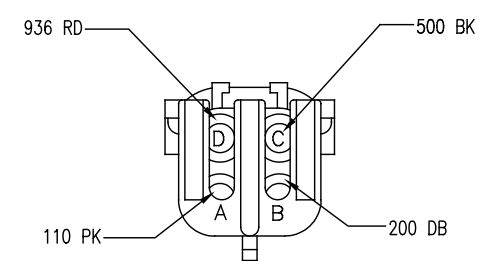
C303
AUXILIARY SW(BATTERY)
999-16716.001



C330
HVAC CONN.(SCS)
770019-1

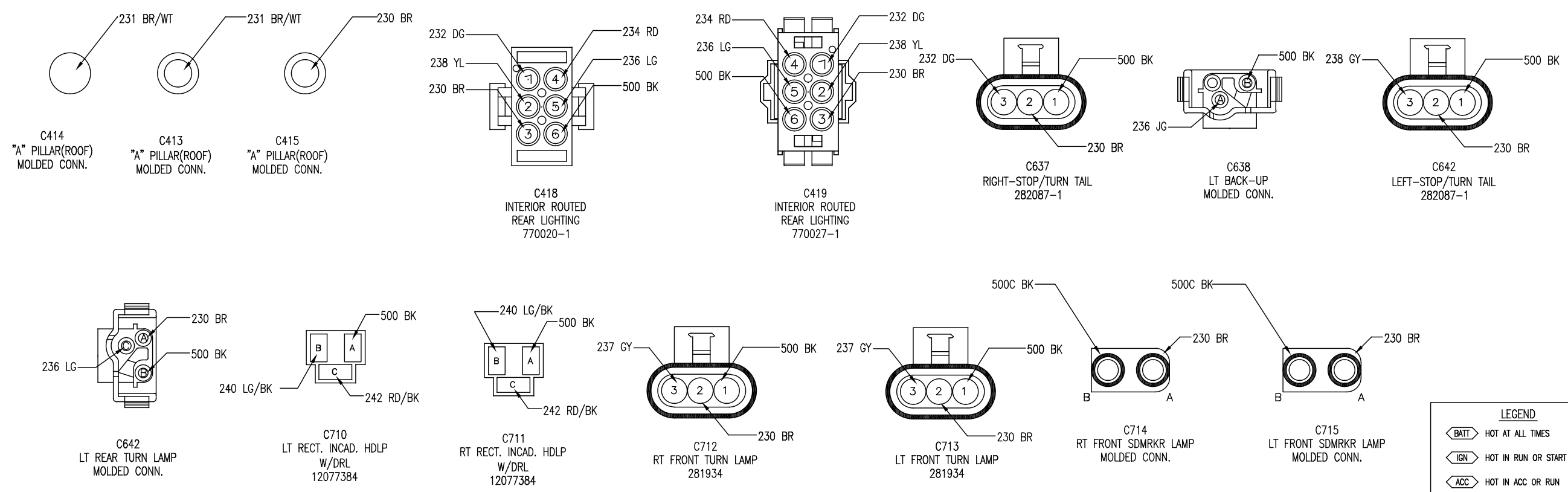
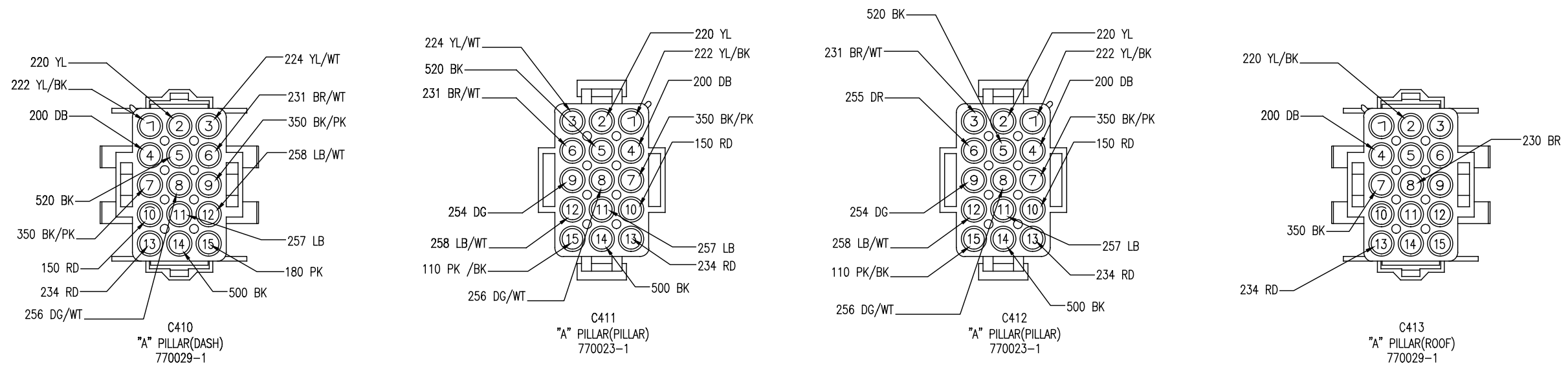


C331
HVAC CONN.(SCS)
770209-1



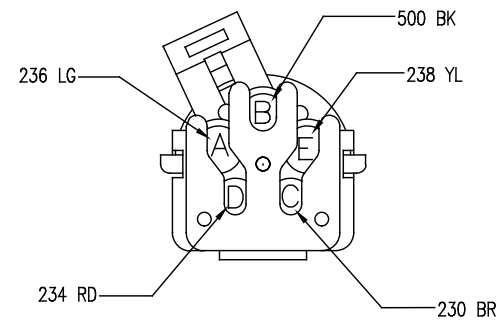
C340
AUX. HTR(SCS)
12015024

LEGEND	
	HOT AT ALL TIMES
	HOT IN RUN OR START
	HOT IN ACC OR RUN

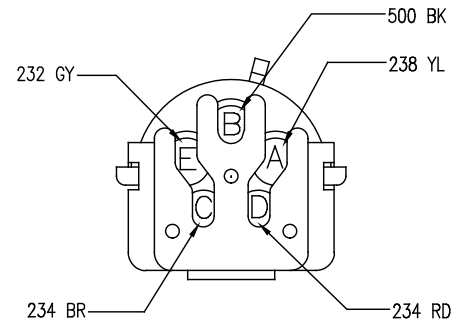


LEGEND

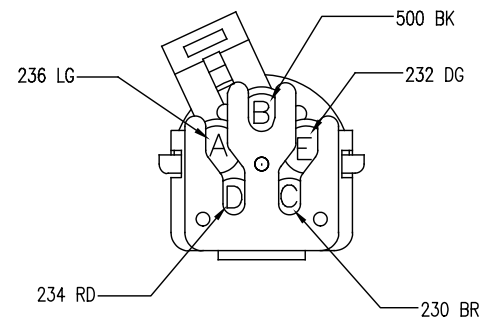
	HOT AT ALL TIMES
	HOT IN RUN OR START
	HOT IN ACC OR RUN



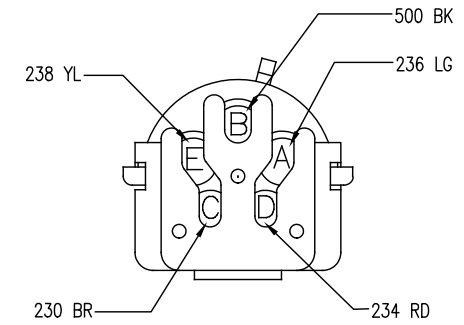
C631
RT REAR LAMP FEED
12034342



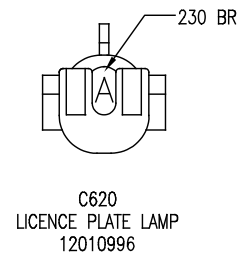
C632
RT REAR LAMP DIST
12065158



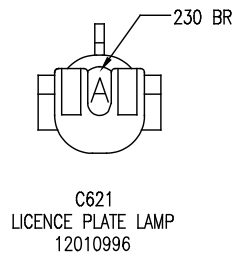
C333
LT REAR LAMP FEED
12034342



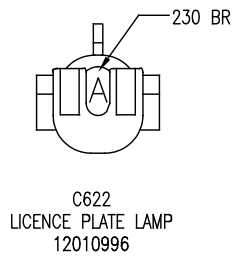
C634
LT REAR LAMP DIST
12065158



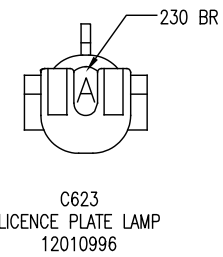
C620
LICENCE PLATE LAMP
12010996



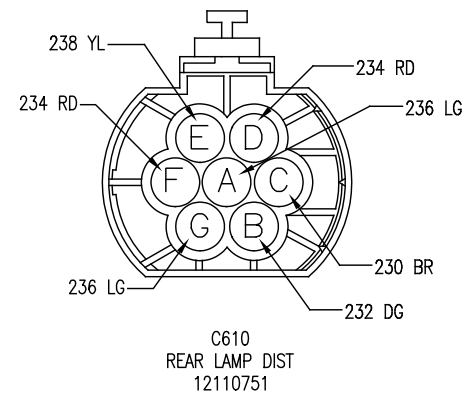
C621
LICENCE PLATE LAMP
12010996



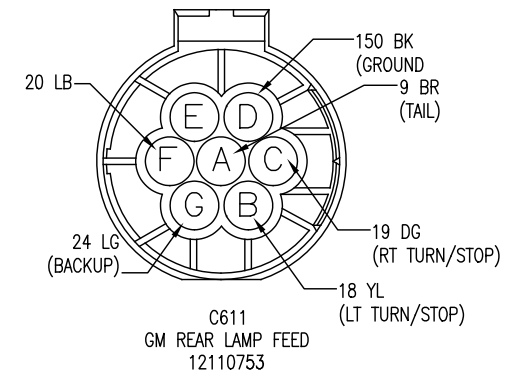
C622
LICENCE PLATE LAMP
12010996



C623
LICENCE PLATE LAMP
12010996

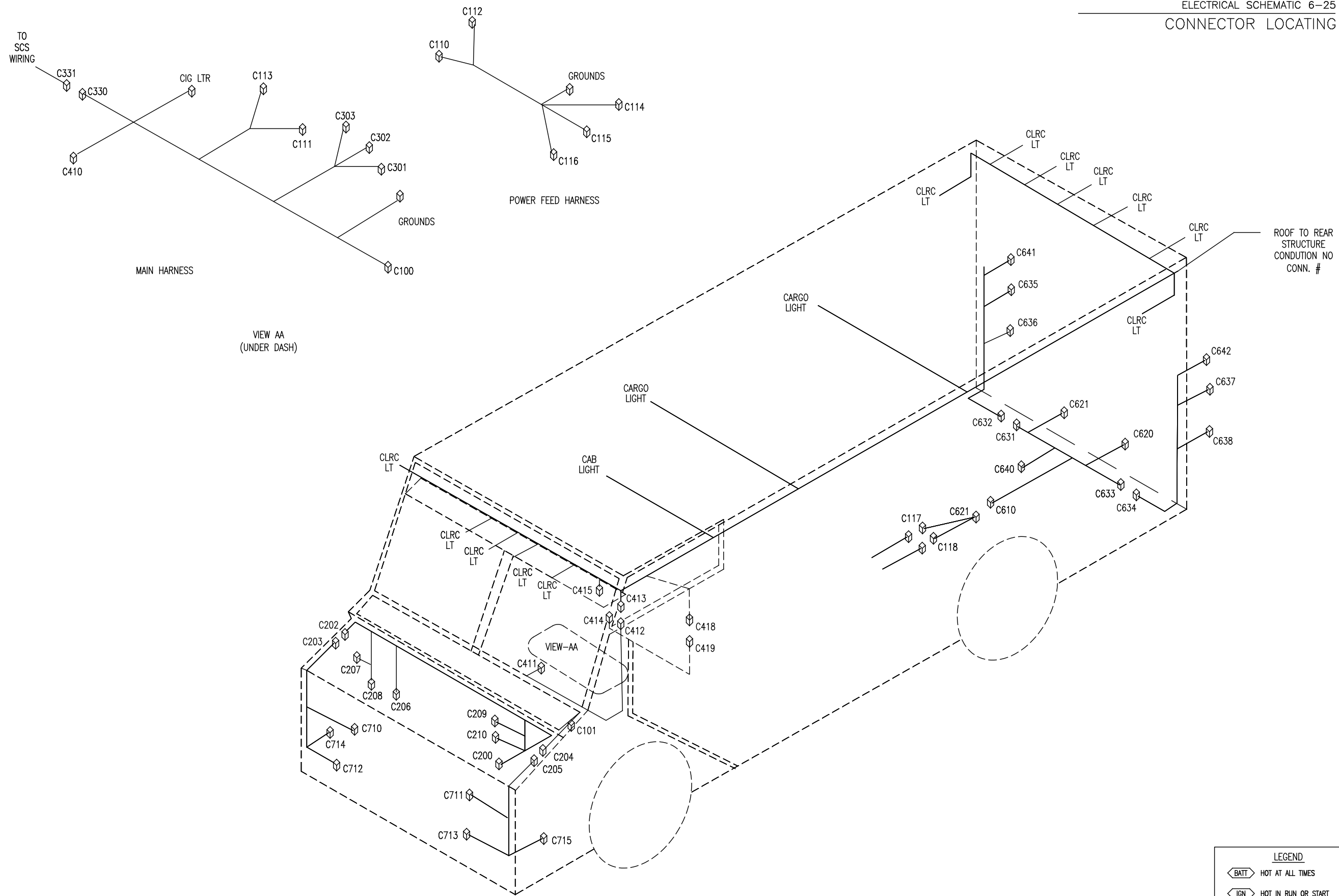


C610
REAR LAMP DIST
12110751



C611
GM REAR LAMP FEED
12110753

LEGEND	
	HOT AT ALL TIMES
	HOT IN RUN OR START
	HOT IN ACC OR RUN

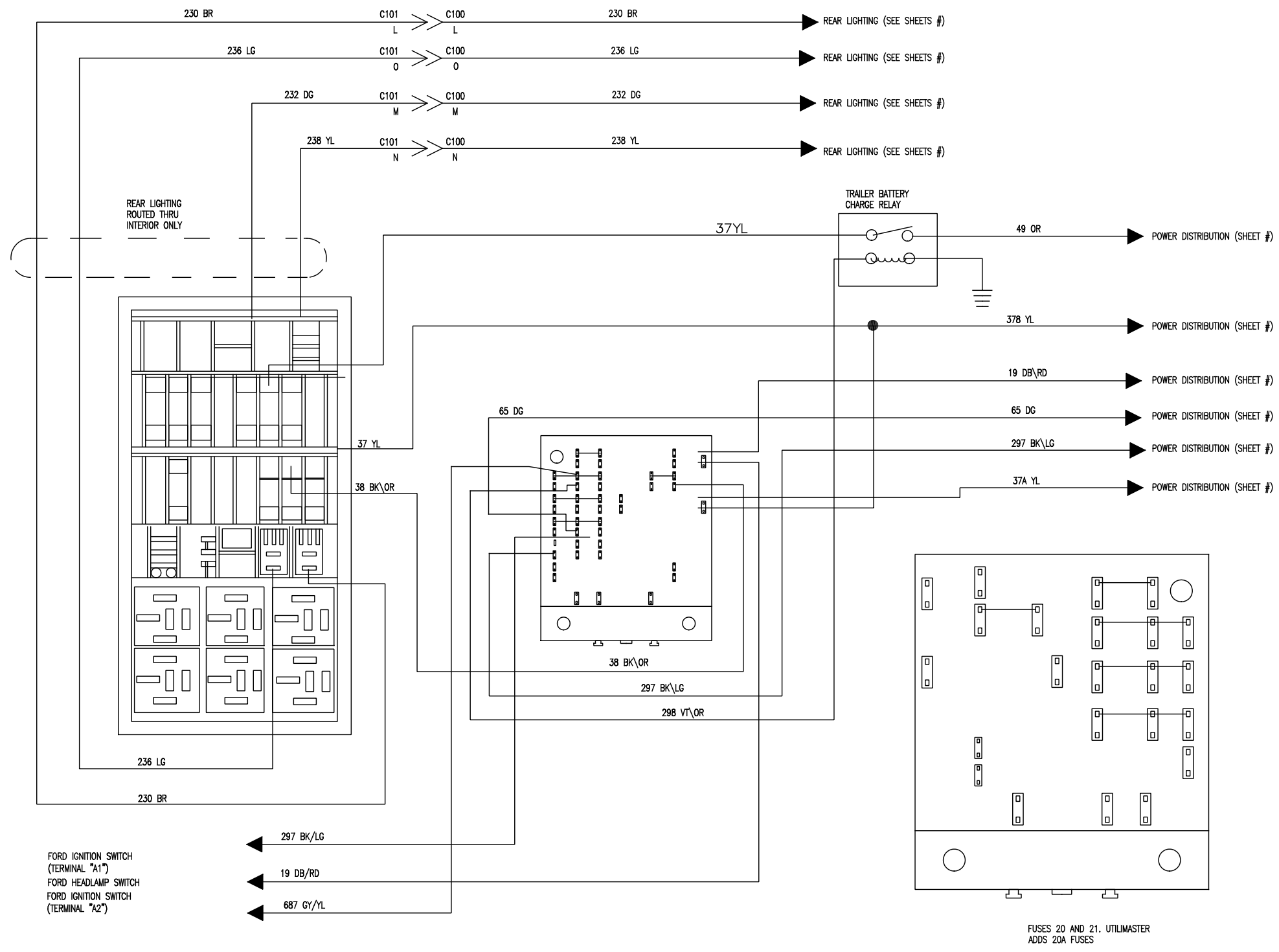


LEGEND

	HOT AT ALL TIMES
	HOT IN RUN OR START
	HOT IN ACC OR RUN

PAGE 6 OF 25	INITIAL RELEASE					ECN# 5027	DATE	BY	CHECKED BY	APPROVED BY	ENGINEER VEETECH	DRAWN BY VEETECH	UTILIMASTER CORP. WAKARUSA, INDIANA	TITLE SCHEMATIC CONNECTOR LOCATING
	REV	REVISIONS					AUTH	DATE	BY	CHECKED BY	APPROVED BY	JWS	18-12-2	CAGE CODE 56MVC

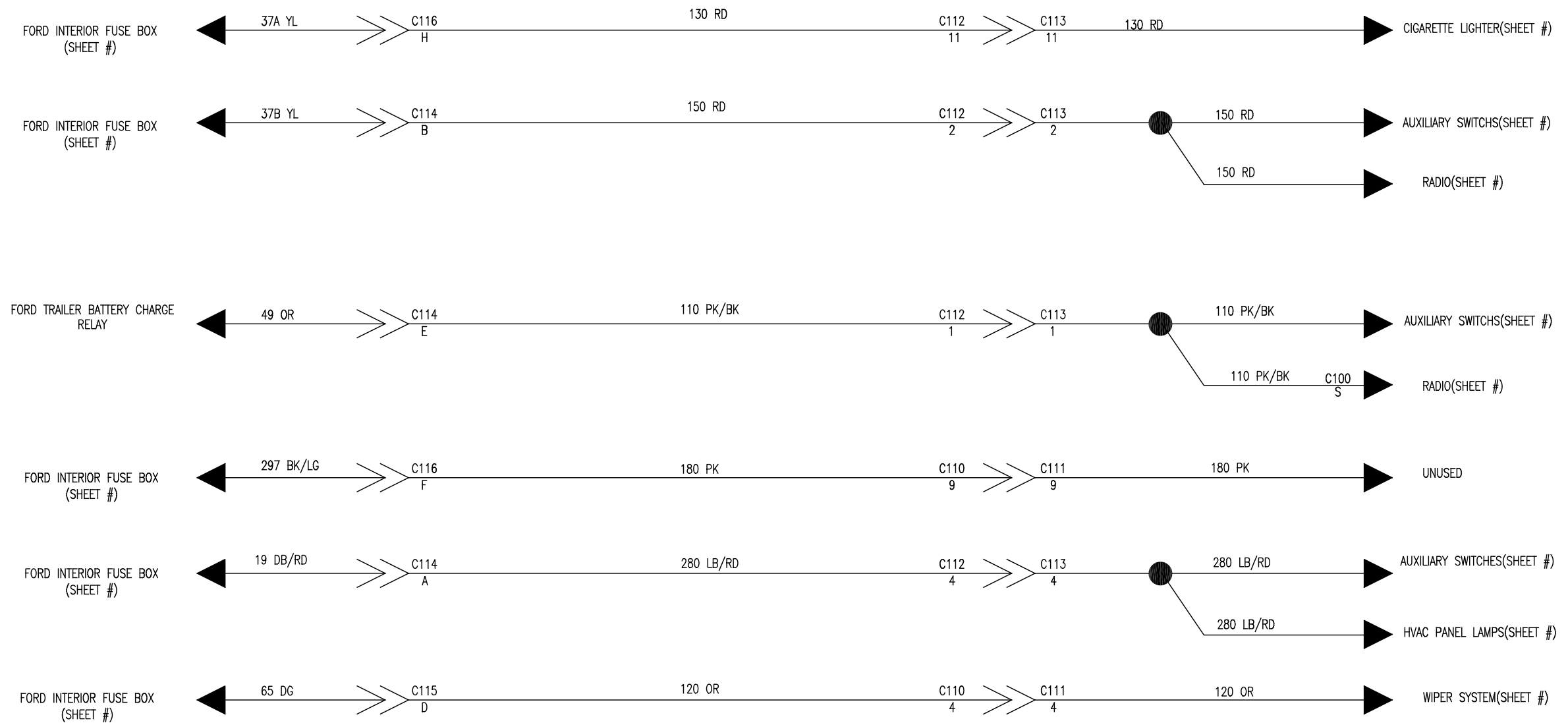
THE INFORMATION CONTAINED IN THIS DRAWING IS THE SOLE PROPERTY OF UTILIMASTER CORP. ANY REPRODUCTION IN PART OR AS A WHOLE WITHOUT THE WRITTEN PERMISSION OF UTILIMASTER CORP. IS PROHIBITED.
DOCUMENT IS ELECTRONICALLY CONTROLLED. VERIFY REV PRIOR TO USE.



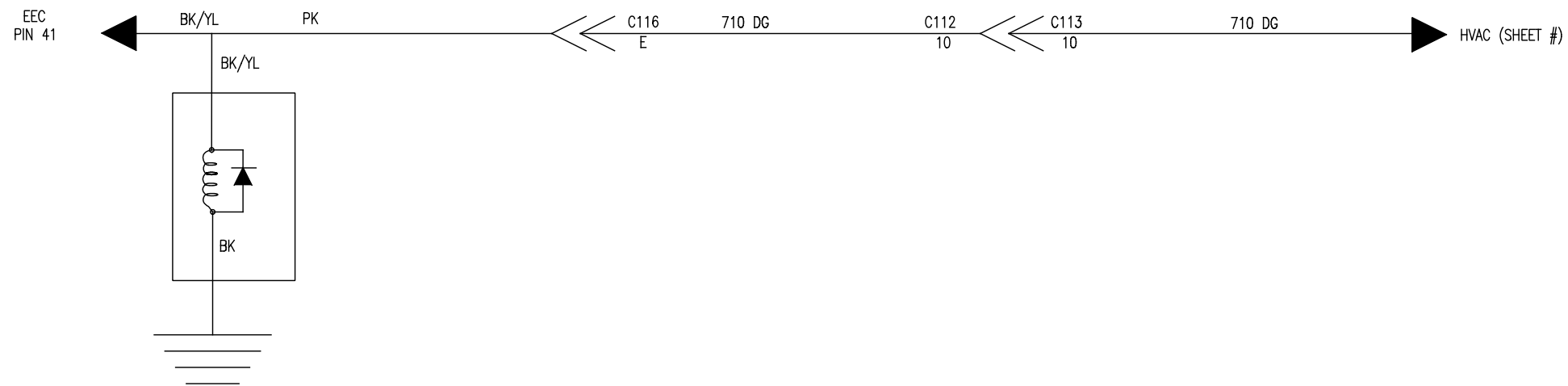
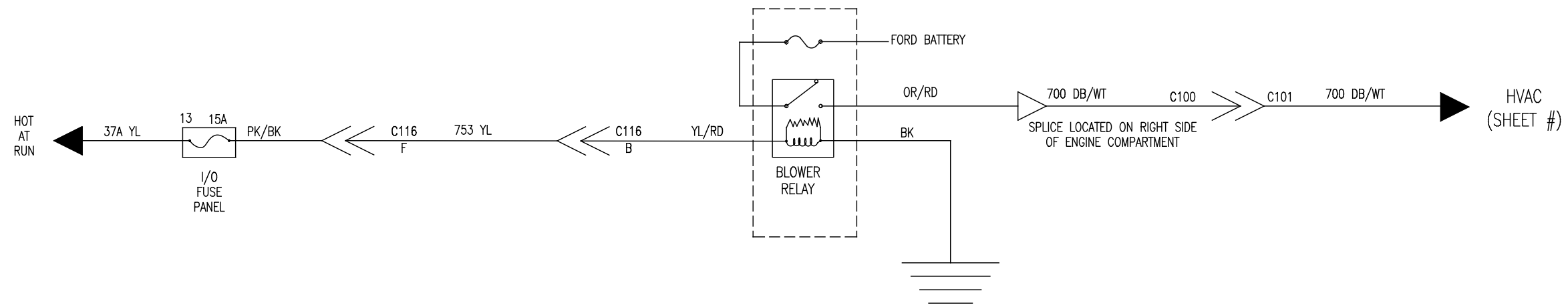
- 1) ION FILM ONLY FEED
- 2) TRAILER BATTERY FEED
- 3)
- 4)
- 5) HDLPS DIM TO HI BEAM
- 6) INST PANEL LAMPS
- 7) ABS CONTROL
- 8) (IBN) RUN ONLY FEED
- 9) ELEC CLUSTER IBN RUN FEED
- 10)
- 11) HDLPS DIM TO LOW BEAM
- 12) LOW BEAM
- 13)
- 14) WARNING LAMPS
- 15) RUN/ACCT/FEED
- 16) RUN/START FEED TO CRITICAL FUNC LAMP 180
- 17) STEERING COLUMN ASSY
- 18)
- 19)
- 20) BATTERY TO LOAD
- 21) RUN/ACCY FEED
- 22) WIPER SWITCH TO WIPER MOTOR
- 23) TRAILER BATTERY FEED
- 24)
- 25)
- 26)
- 27)
- 28)
- 29)
- 30)
- 31)
- 32)
- 33) STARTER CONTROL TO INTERLOCK MODULE
- 34)
- 35)
- 36) STOP LAMP SWITCH FEED
- 37)
- 38) FEED TO CEO-11 SCAM TOOL
- 39) HEADLAMP FLASH TO PASS SWITCH FEED
- 40)
- 41)

LEGEND

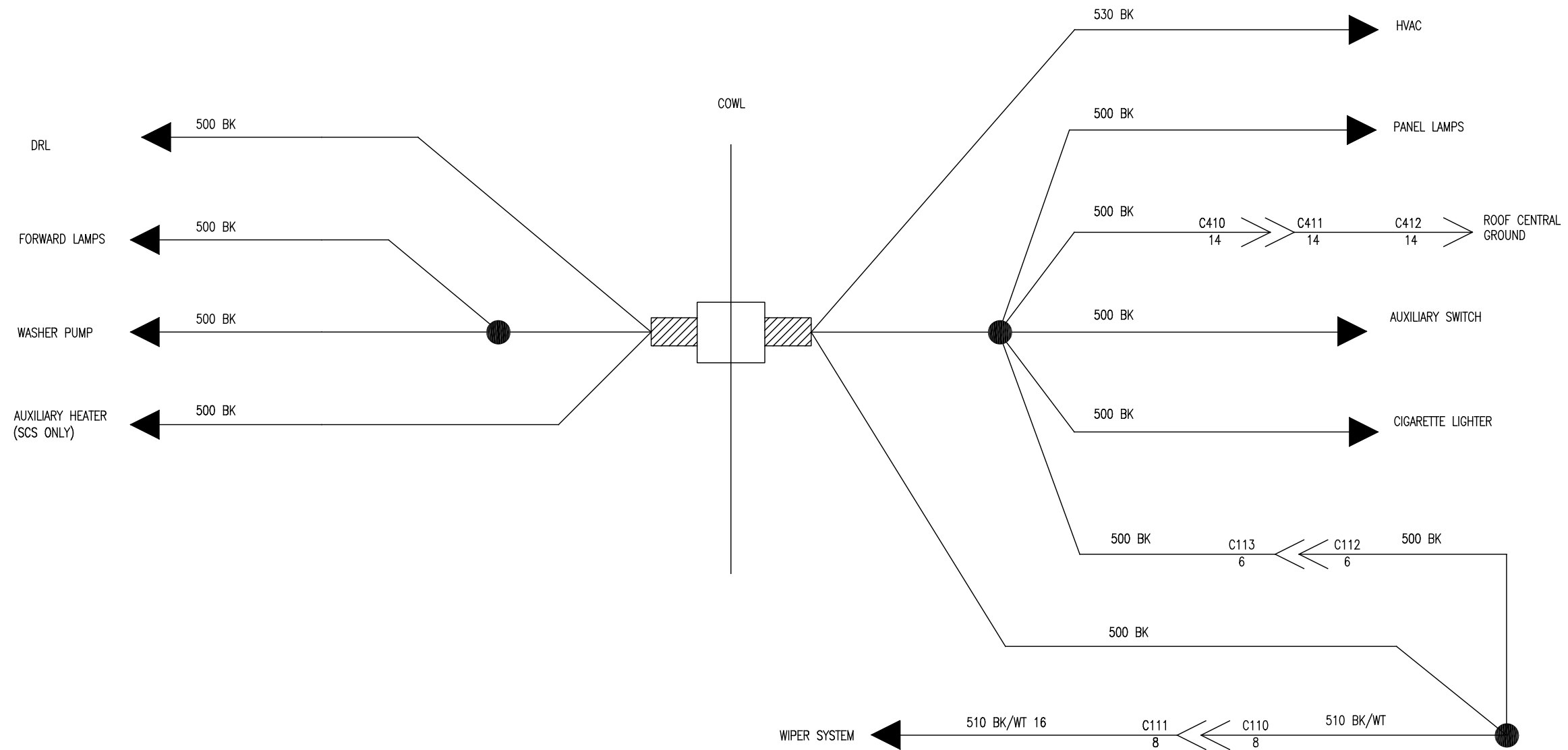
(BATT)	HOT AT ALL TIMES
(IGN)	HOT IN RUN OR START
(ACC)	HOT IN ACC OR RUN



LEGEND	
⬅ BATT ➡	HOT AT ALL TIMES
⬅ IGN ➡	HOT IN RUN OR START
⬅ ACC ➡	HOT IN ACC OR RUN



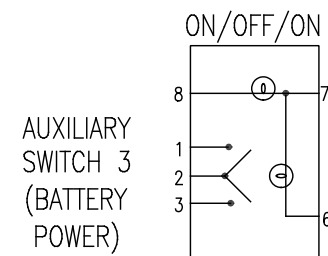
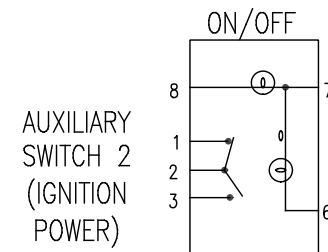
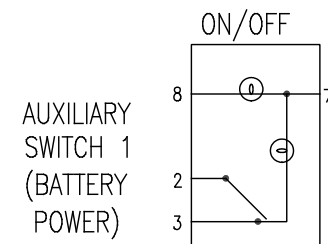
LEGEND	
	HOT AT ALL TIMES
	HOT IN RUN OR START
	HOT IN ACC OR RUN



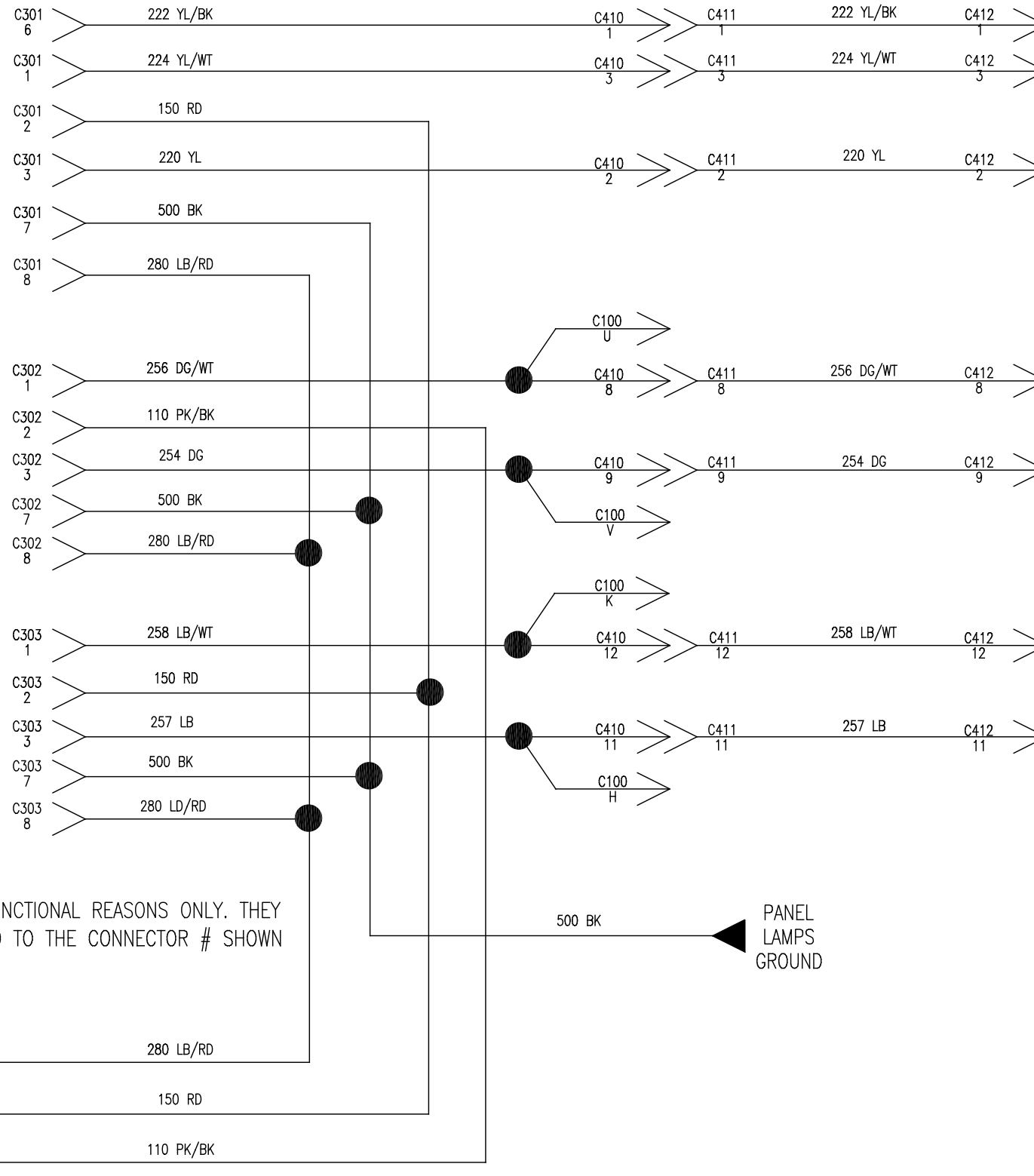
LEGEND	
⊖ BATT	HOT AT ALL TIMES
⊖ IGN	HOT IN RUN OR START
⊖ ACC	HOT IN ACC OR RUN

PAGE 10 OF 25	INITIAL RELEASE	ECN# 5027	DATE	BY	CHECKED BY	APPROVED BY	ENGINEER VEETECH	DRAWN BY VEETECH	UTILIMASTER CORP. WAKARUSA, INDIANA	TITLE SCHEMATIC GROUND DISTRIBUTION
	REVISIONS	AUTH	DATE	BY	CHECKED BY	APPROVED BY	JWS	DATE 18-12-2	36MVC	582324

THE INFORMATION CONTAINED IN THIS DRAWING IS THE SOLE PROPERTY OF UTILIMASTER CORP. ANY REPRODUCTION IN PART OR AS A WHOLE WITHOUT THE WRITTEN PERMISSION OF UTILIMASTER CORP. IS PROHIBITED.
DOCUMENT IS ELECTRONICALLY CONTROLLED. VERIFY REV PRIOR TO USE.

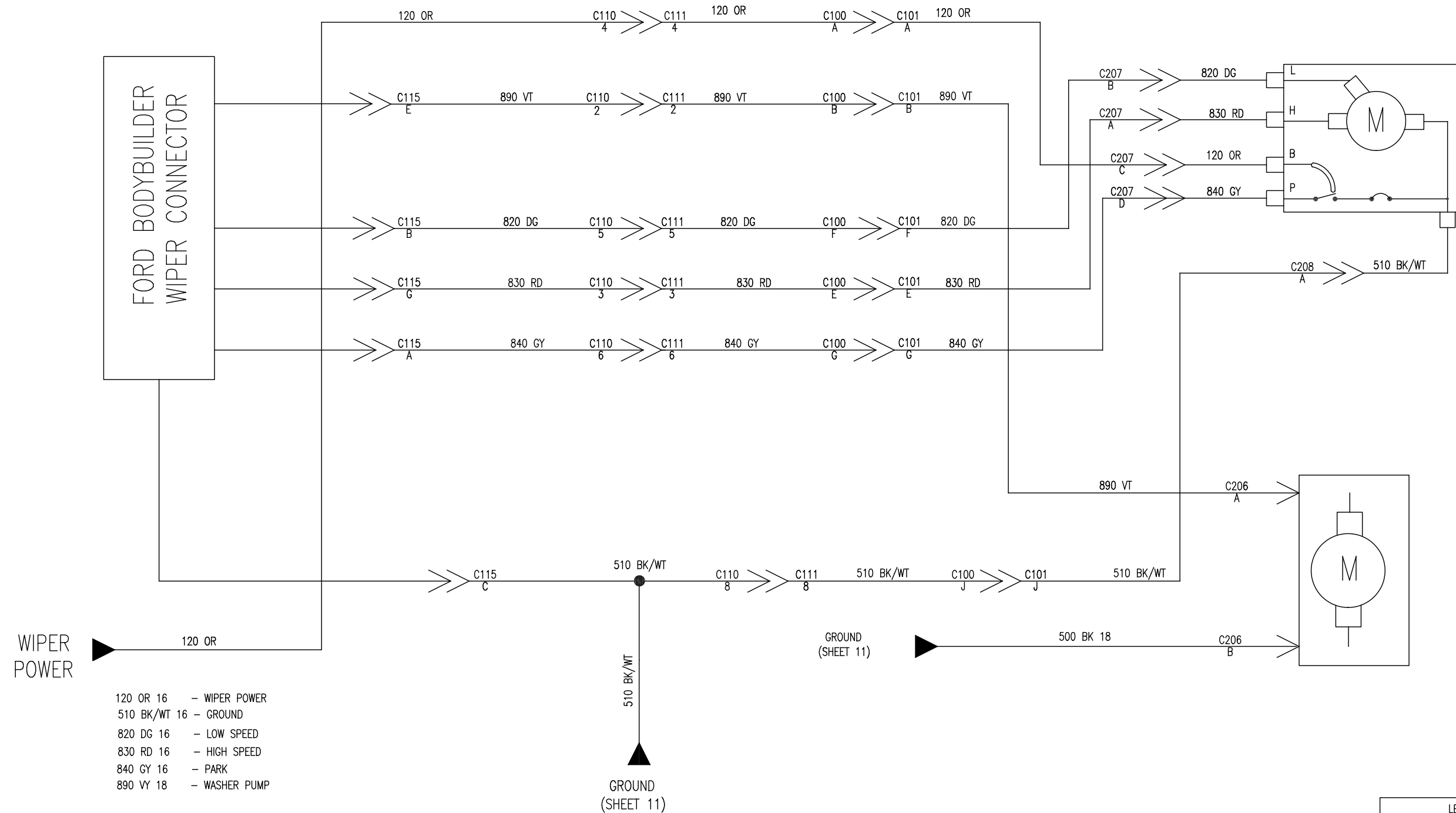


SWITCHES SHOWN ARE VISUAL FUNCTIONAL REASONS ONLY. THEY ARE NOT NECESSARILY MATCHED TO THE CONNECTOR # SHOWN



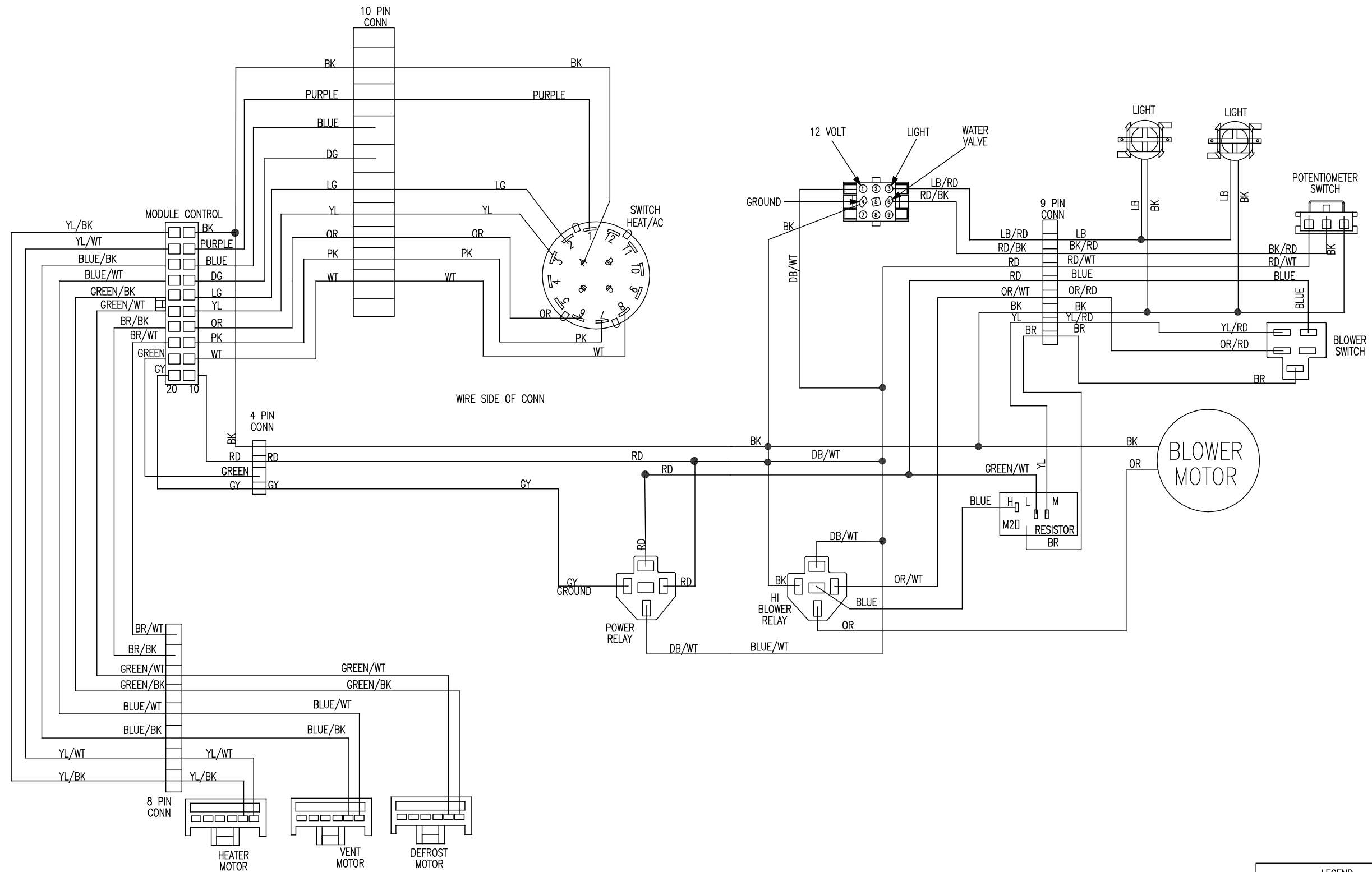
TYPICAL SWITCH USAGES:
ON/OFF-LIGHTING, HTD MIRRORS, POWER VENTS.
ON/ON-3-WAY CARGO LIGHT SWITCHING ONLY
ON/OFF/ON-AUX. HEATERS

LEGEND	
	HOT AT ALL TIMES
	HOT IN RUN OR START
	HOT IN ACC OR RUN

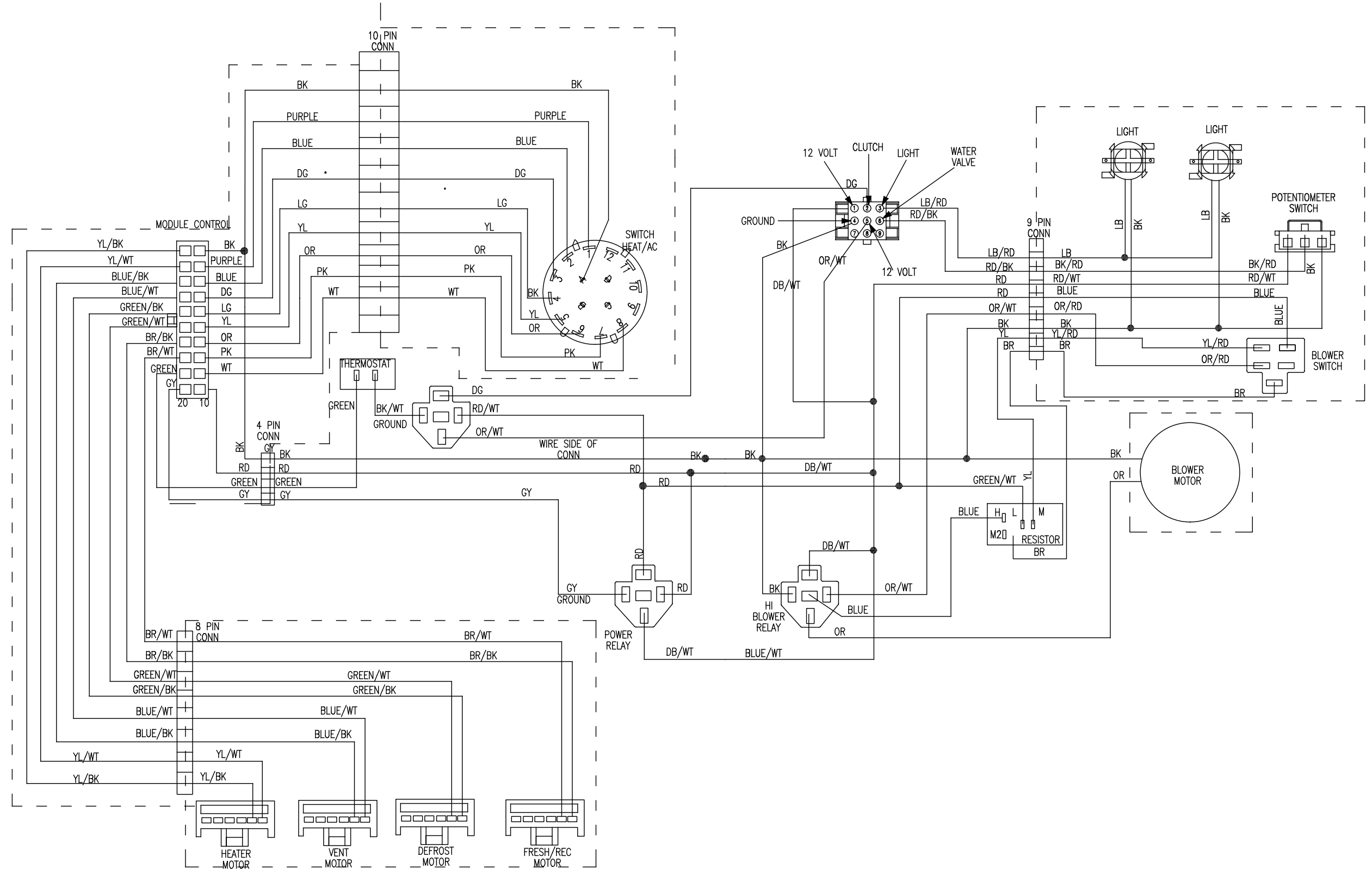


PAGE 12-0F-25	INITIAL RELEASE	ECN# 5027				ENGINEER VEETECH	DRAWN BY VEETECH	UTILIMASTER CORP. WAKARUSA, INDIANA	TITLE SCHEMATIC WIPER SYSTEM
	REVISIONS	AUTH	DATE	BY	CHECKED BY JWS	APPROVED BY	DATE 18-12-2	THE INFORMATION CONTAINED IN THIS DRAWING IS THE SOLE PROPERTY OF UTILIMASTER CORP. ANY REPRODUCTION IN PART OR AS A WHOLE WITHOUT THE WRITTEN PERMISSION OF UTILIMASTER CORP. IS PROHIBITED. DOCUMENT IS ELECTRONICALLY CONTROLLED. VERIFY REV PRIOR TO USE.	CAGE CODE 56MVC

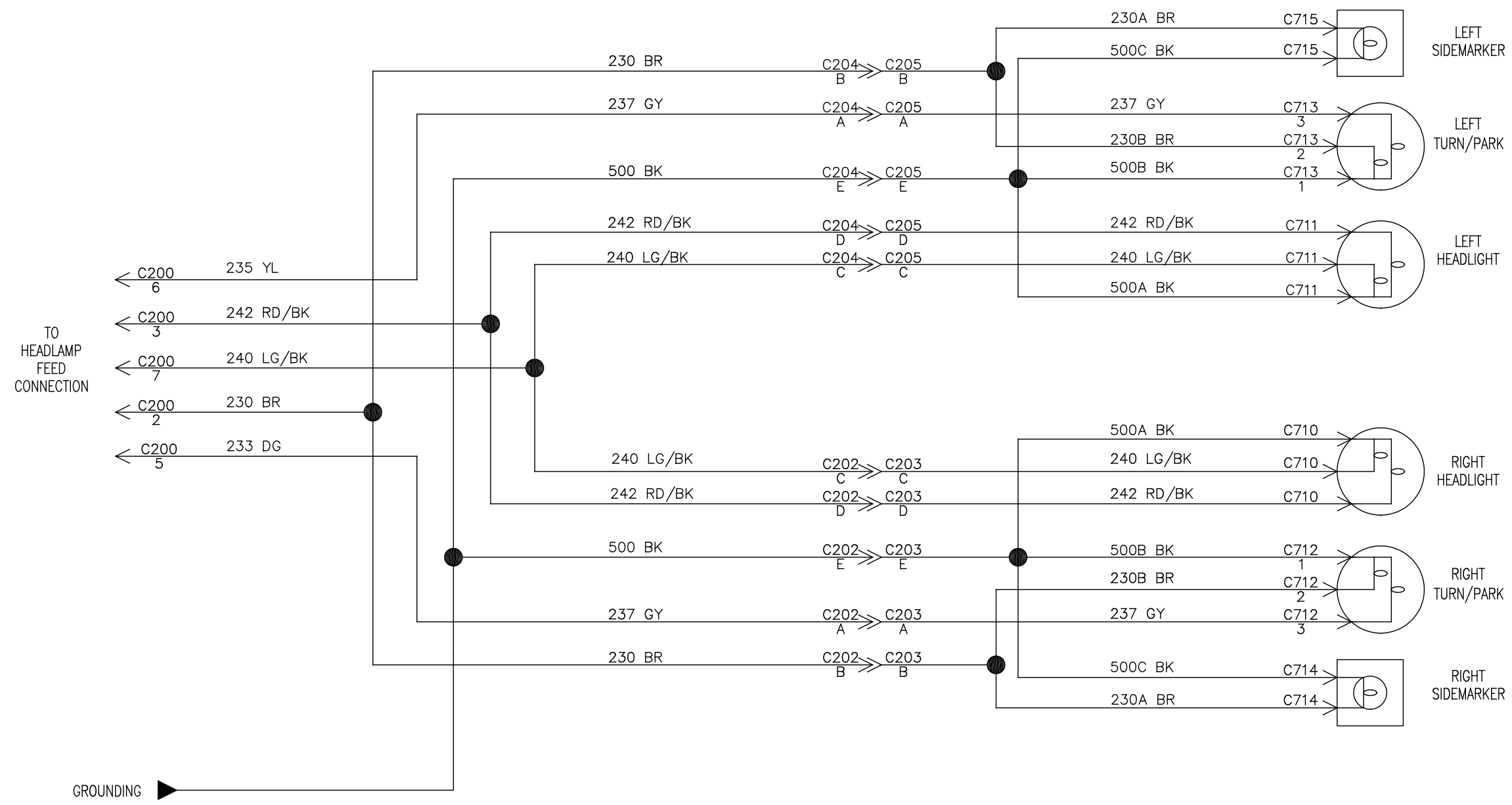
582324



LEGEND	
◁ BATT ▷	HOT AT ALL TIMES
◁ IGN ▷	HOT IN RUN OR START
◁ ACC ▷	HOT IN ACC OR RUN



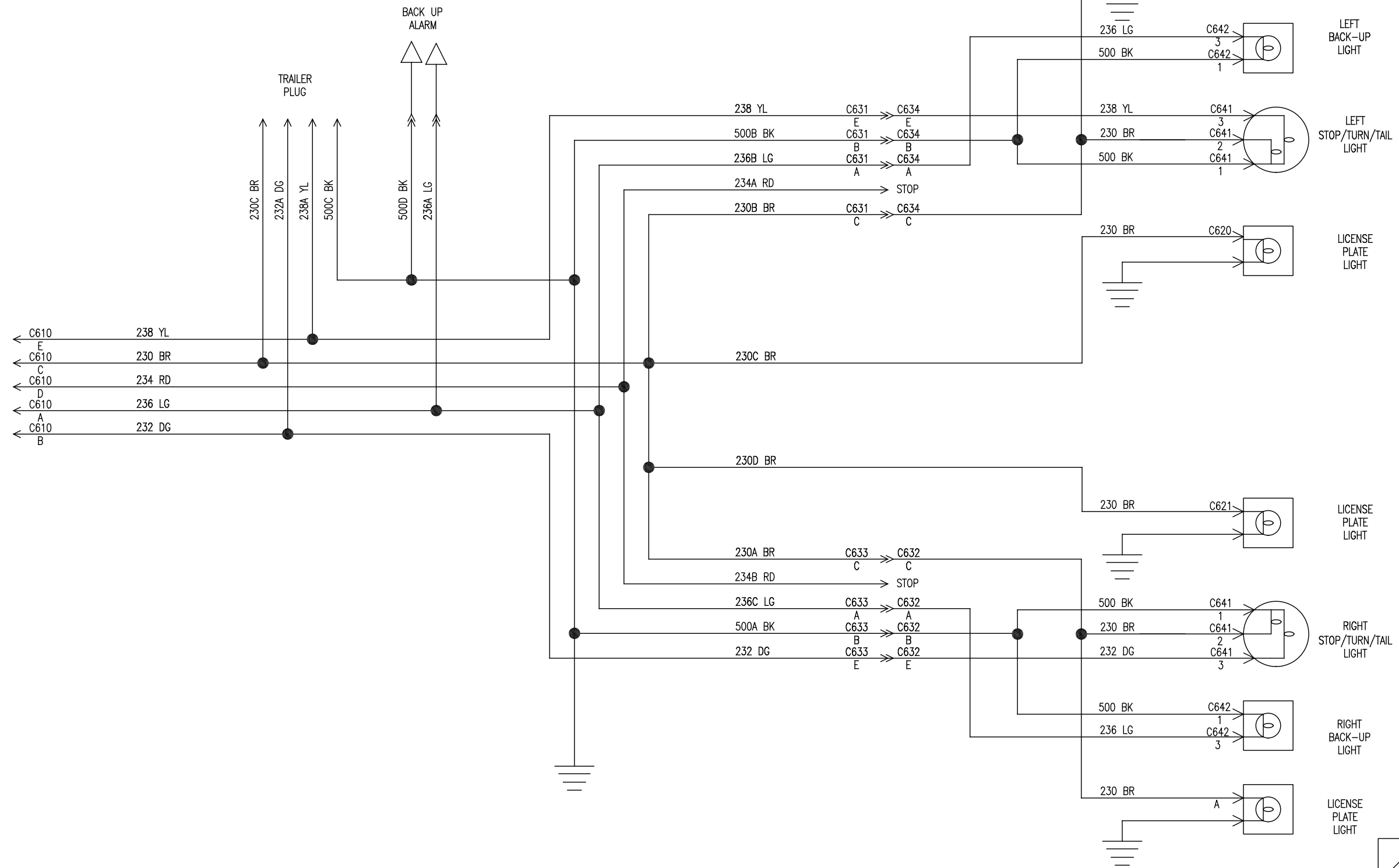
LEGEND	
	HOT AT ALL TIMES
	HOT IN RUN OR START
	HOT IN ACC OR RUN



LEGEND

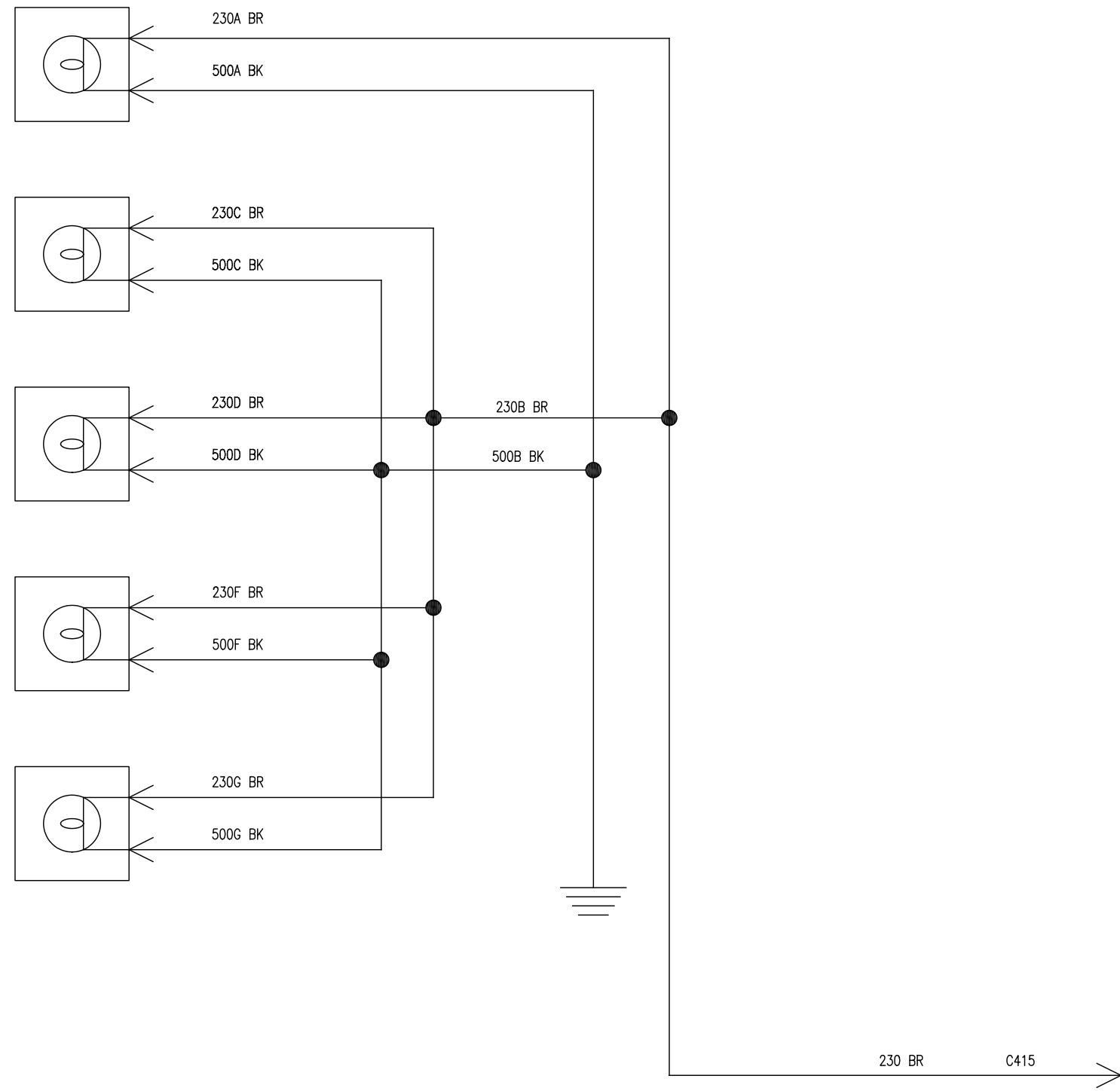
	HOT AT ALL TIMES
	HOT IN RUN OR START
	HOT IN ACC OR RUN

LICENSE PLATE WIRING CONNECTORS 620 & 621
 ARE USED WHEN REAR LIGHTING IS LOCATED
 OUTSIDE THE KICKPLATE AREA (I.E., KIDNEYS
 OR SIDE METAL).



LEGEND

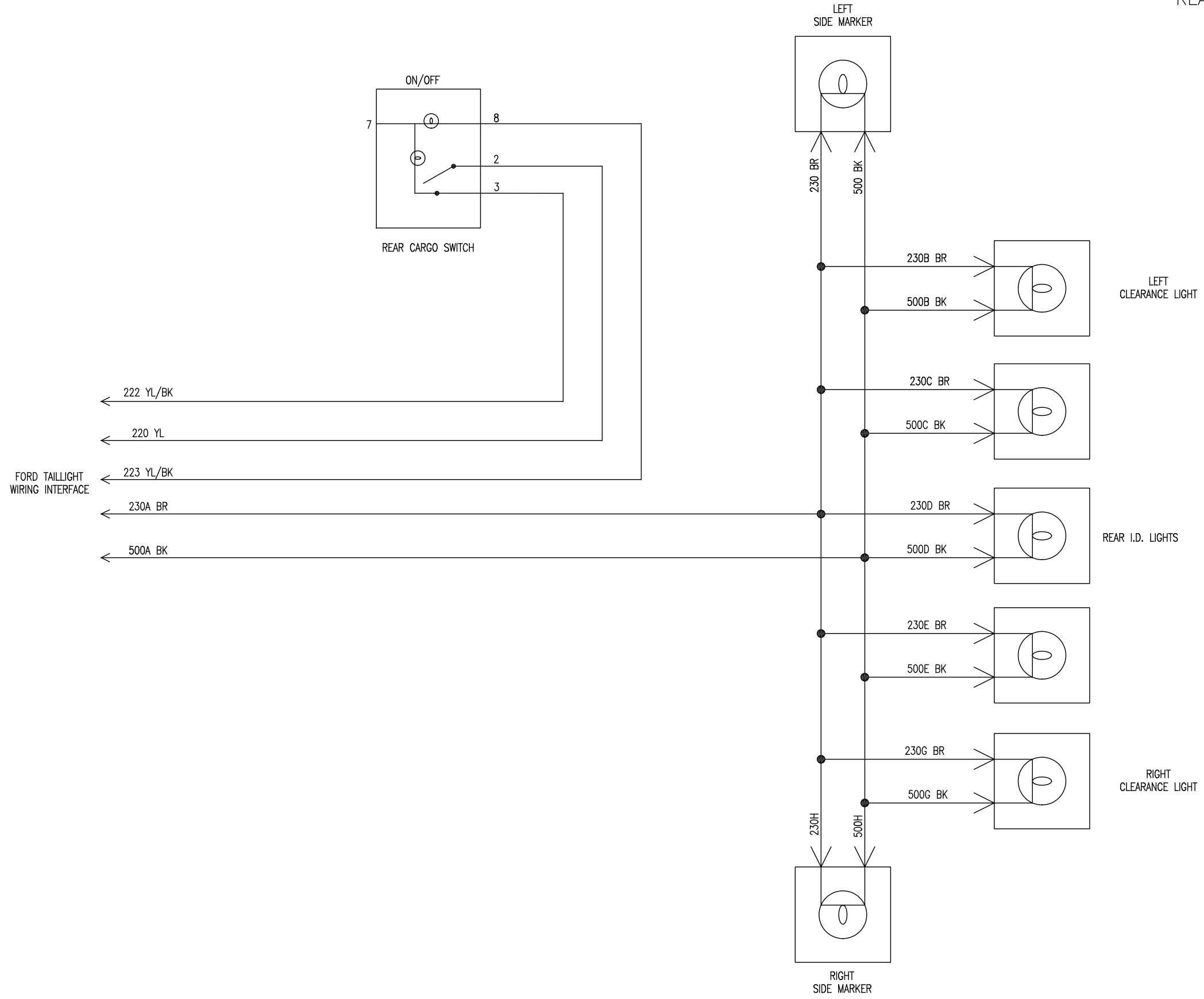
	HOT AT ALL TIMES
	HOT IN RUN OR START
	HOT IN ACC OR RUN



LEGEND

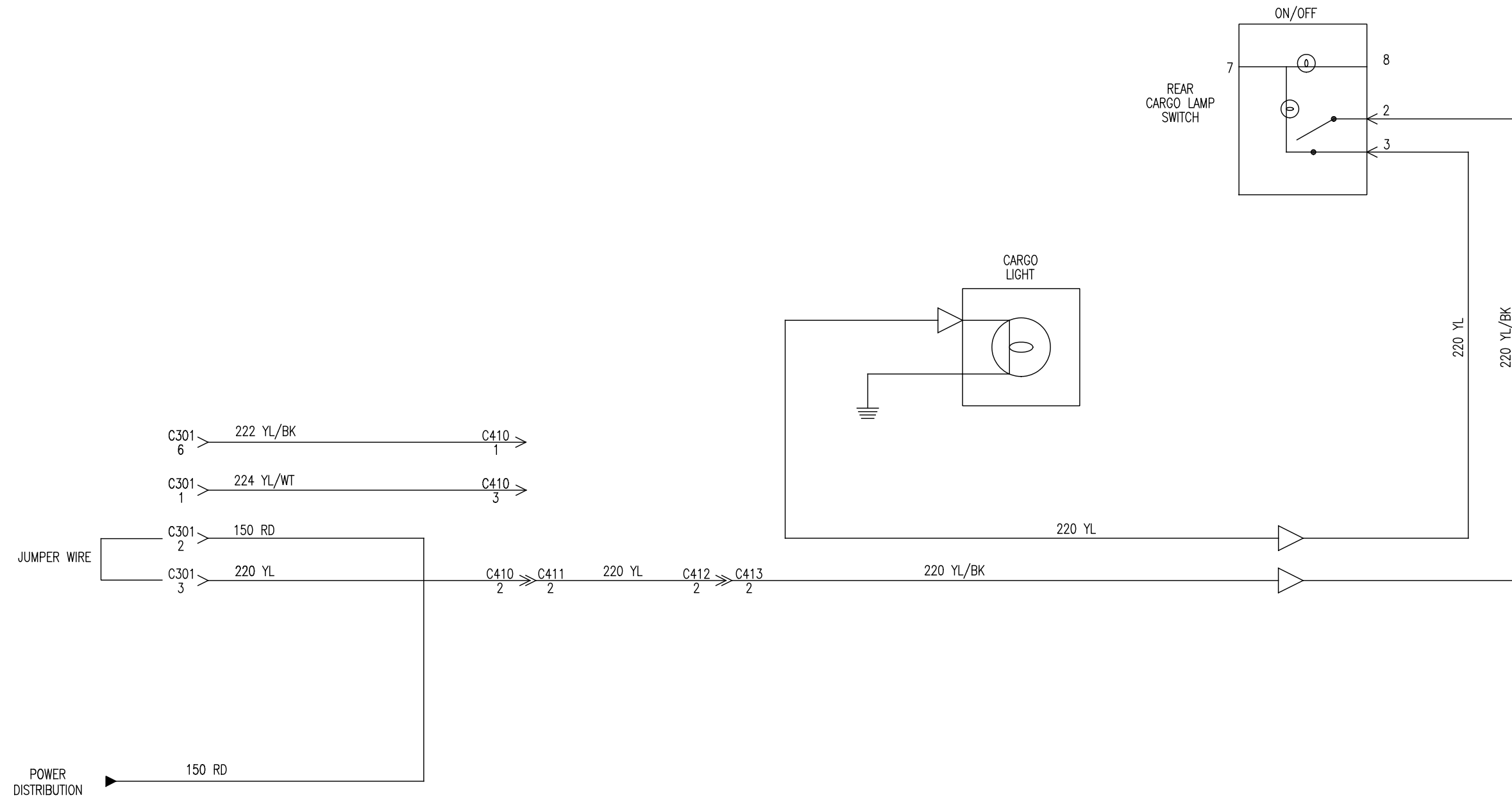
BATT	HOT AT ALL TIMES
IGN	HOT IN RUN OR START
ACC	HOT IN ACC OR RUN

PAGE 17 OF 26	INITIAL RELEASE	ECN# 5027					ENGINEER VEETECH	DRAWN BY VEETECH	UTILIMASTER CORP. WAKARUSA, INDIANA	TITLE SCHEMATIC FRONT CLEARANCE LIGHT
	REVISIONS	AUTH	DATE	BY	CHECKED BY JWS	APPROVED BY	CHECKED BY JWS	DATE 18-12-2	THE INFORMATION CONTAINED IN THIS DRAWING IS THE SOLE PROPERTY OF UTILIMASTER CORP. ANY REPRODUCTION IN PART OR AS A WHOLE WITHOUT THE WRITTEN PERMISSION OF UTILIMASTER CORP. IS PROHIBITED. DOCUMENT IS ELECTRONICALLY CONTROLLED. VERIFY REV PRIOR TO USE.	CAGE CODE 56MVC



LEGEND

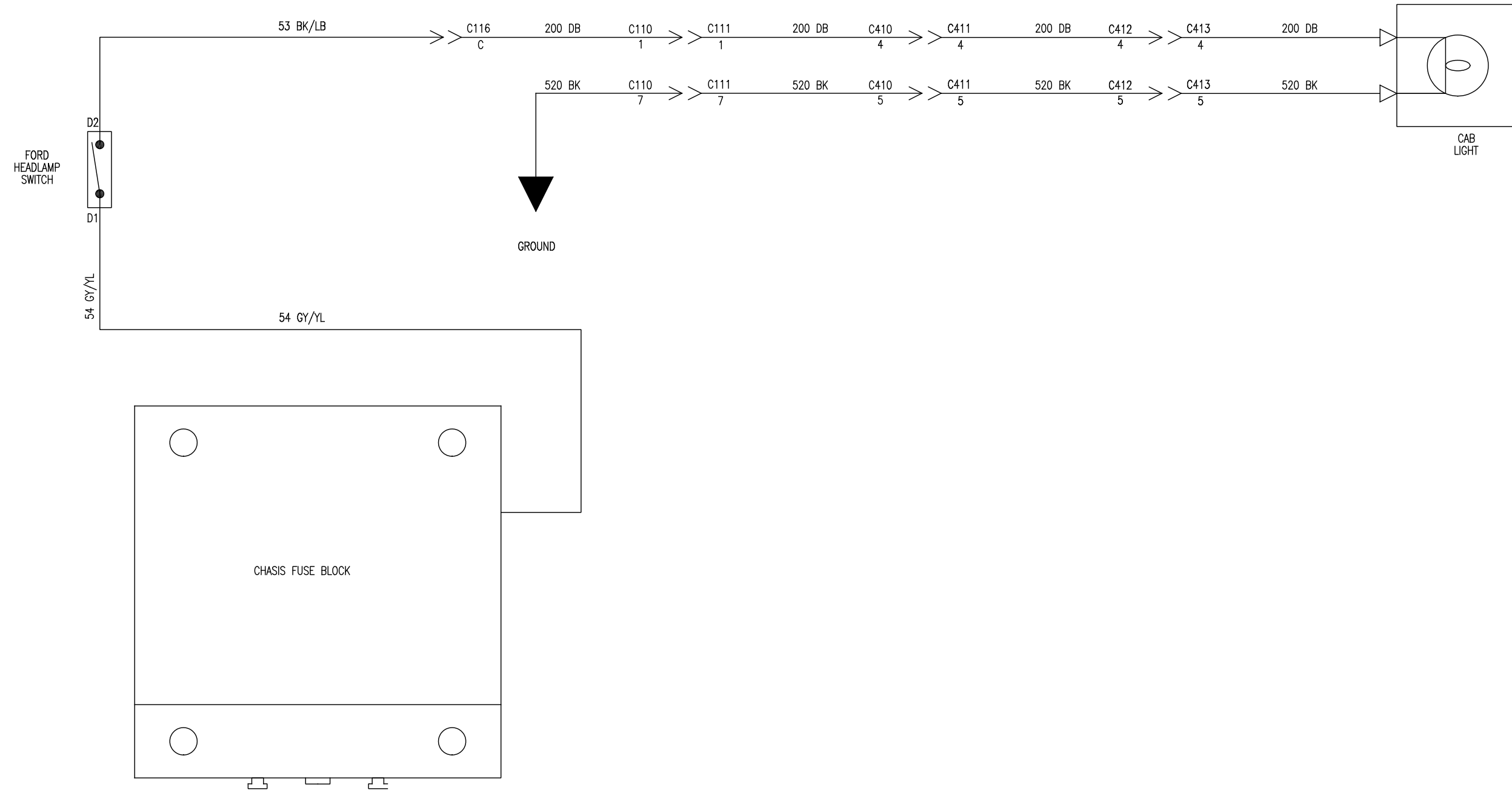
BATT	HOT AT ALL TIMES
IGN	HOT IN RUN OR START
ACC	HOT IN ACC OR RUN



LEGEND	
	HOT AT ALL TIMES
	HOT IN RUN OR START
	HOT IN ACC OR RUN

PAGE 19 OF 26	INITIAL RELEASE	ECN# 5027	DATE	BY	CHECKED BY	APPROVED BY	ENGINEER	DRAWN BY	UTILIMASTER CORP. WAKARUSA, INDIANA	TITLE	56MVC
	REVISIONS	AUTH	DATE	BY	CHECKED BY	APPROVED BY	VEETECH	VEETECH	WAKARUSA, INDIANA	SCHMATIC CARGO LAMPS STANDARD WIRING	DWG. NUMBER 582324

THE INFORMATION CONTAINED IN THIS DRAWING IS THE SOLE PROPERTY OF UTILIMASTER CORP. ANY REPRODUCTION IN PART OR AS A WHOLE WITHOUT THE WRITTEN PERMISSION OF UTILIMASTER CORP. IS PROHIBITED.
 DOCUMENT IS ELECTRONICALLY CONTROLLED. VERIFY REV PRIOR TO USE.

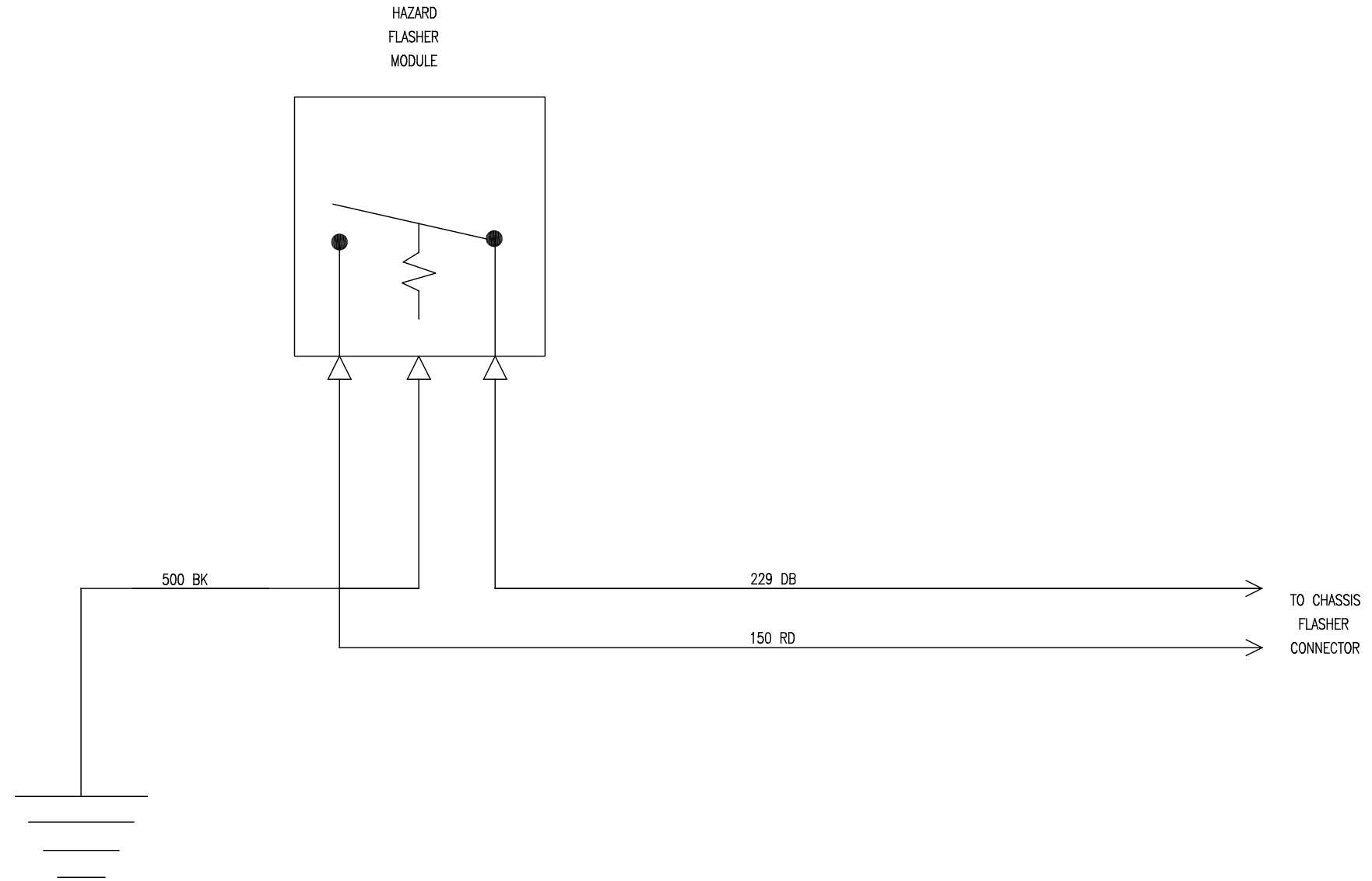


LEGEND


◁ BATT ▷	HOT AT ALL TIMES
◁ IGN ▷	HOT IN RUN OR START
◁ ACC ▷	HOT IN ACC OR RUN

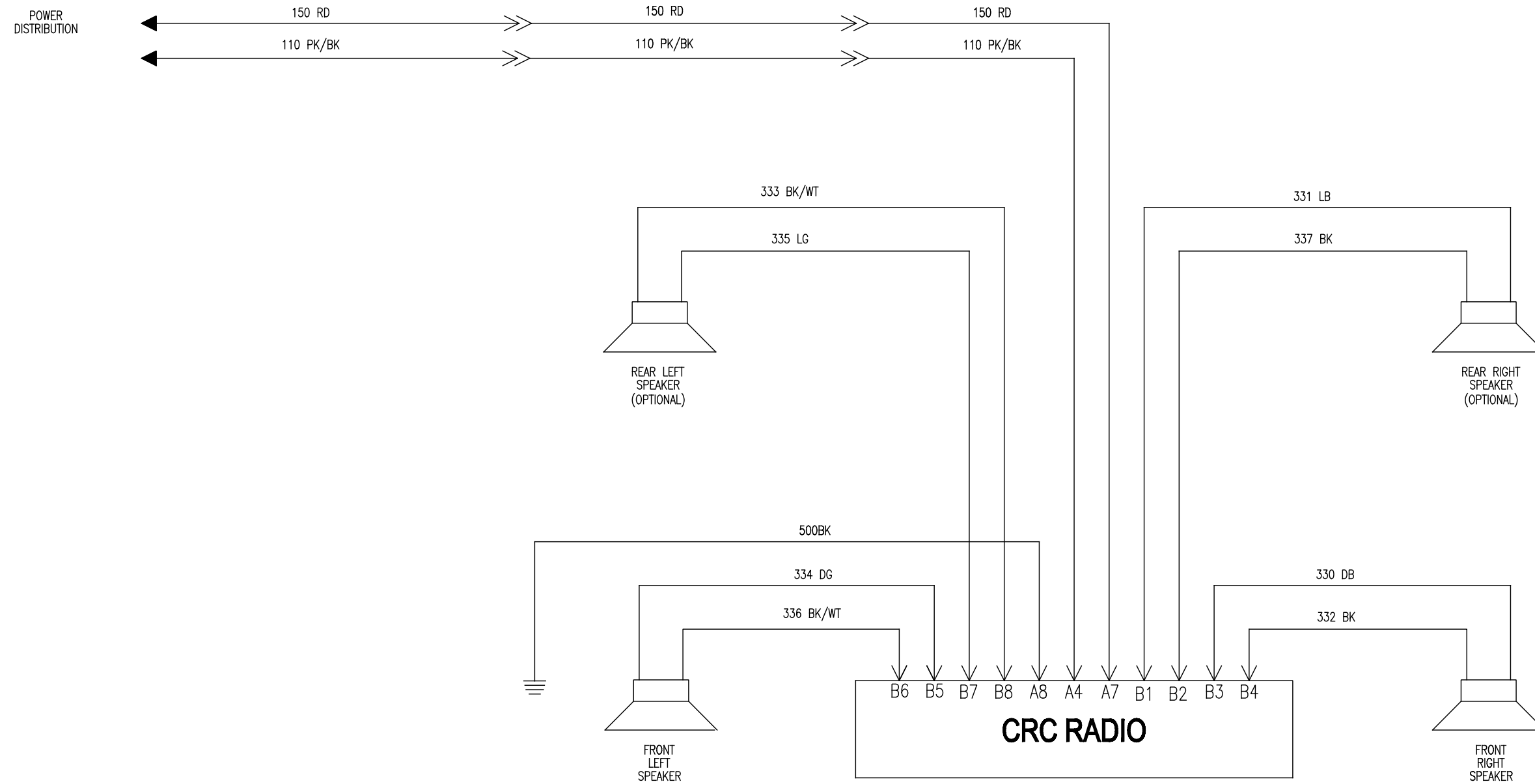
PAGE 20 OF 25	INITIAL RELEASE	ECN# 5027	DATE	BY	CHECKED BY	APPROVED BY	ENGINEER	DRAWN BY	UTILIMASTER CORP. WAKARUSA, INDIANA	TITLE
	REVISIONS	AUTH			JWS		VEETECH	VEETECH	SCHEMATIC CAB DOME LAMP	
									DATE	CAGE CODE
									18-12-2	56MVO
										DWG. NUMBER
										582324

THE INFORMATION CONTAINED IN THIS DRAWING IS THE SOLE PROPERTY OF UTILIMASTER CORP. ANY REPRODUCTION IN PART OR AS A WHOLE WITHOUT THE WRITTEN PERMISSION OF UTILIMASTER CORP. IS PROHIBITED.
DOCUMENT IS ELECTRONICALLY CONTROLLED. VERIFY REV PRIOR TO USE.



LEGEND	
◁ BATT ▷	HOT AT ALL TIMES
◁ IGN ▷	HOT IN RUN OR START
◁ ACC ▷	HOT IN ACC OR RUN

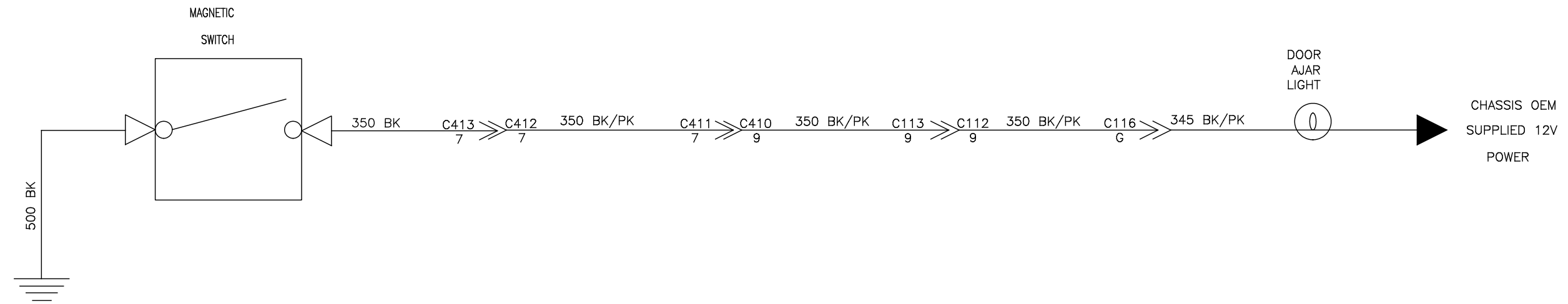
PAGE 21 OF 26	INITIAL RELEASE	ECN# 5027					ENGINEER VEETECH	DRAWN BY VEETECH	UTILIMASTER CORP. WAKARUSA, INDIANA	 TITLE SCHEMATIC HAZARD FLASHER SYSTEM CAGE CODE DWG. NUMBER 56MVC 582324
	REV	REVISIONS	AUTH	DATE	BY	CHECKED BY JWS	APPROVED BY	DATE 18-12-2	<small>THE INFORMATION CONTAINED IN THIS DRAWING IS THE SOLE PROPERTY OF UTILIMASTER CORP. ANY REPRODUCTION IN PART OR AS A WHOLE WITHOUT THE WRITTEN PERMISSION OF UTILIMASTER CORP. IS PROHIBITED.</small> DOCUMENT IS ELECTRONICALLY CONTROLLED. VERIFY REV PRIOR TO USE.	



LEGEND	
◁ BATT ▷	HOT AT ALL TIMES
◁ IGN ▷	HOT IN RUN OR START
◁ ACC ▷	HOT IN ACC OR RUN

PAGE 23 OF 25	INITIAL RELEASE	ECN# 5027	DATE	BY	CHECKED BY	APPROVED BY	ENGINEER	DRAWN BY	UTILIMASTER CORP. WAKARUSA, INDIANA	TITLE	SCHEMATIC # - GROUP NA
							VEETECH	VEETECH			
REV.	REVISIONS	AUTH	DATE	BY	CHECKED BY	APPROVED BY	JWS	18-12-2	56MVC	582324	582324

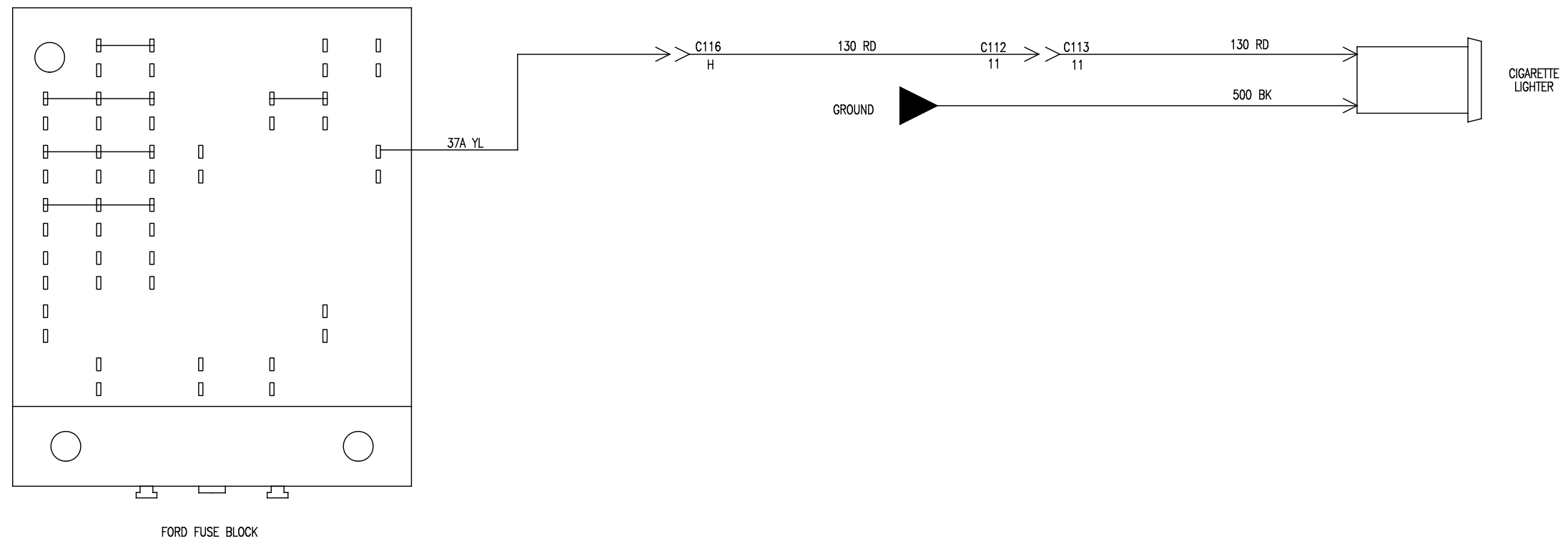
THE INFORMATION CONTAINED IN THIS DRAWING IS THE SOLE PROPERTY OF UTILIMASTER CORP. ANY REPRODUCTION IN PART OR AS A WHOLE WITHOUT THE WRITTEN PERMISSION OF UTILIMASTER CORP. IS PROHIBITED.
DOCUMENT IS ELECTRONICALLY CONTROLLED. VERIFY REV PRIOR TO USE.



LEGEND	
◁ BATT ▷	HOT AT ALL TIMES
◁ IGN ▷	HOT IN RUN OR START
◁ ACC ▷	HOT IN ACC OR RUN

PAGE 24 OF 25	INITIAL RELEASE	ECN# 5027					ENGINEER VEETECH	DRAWN BY VEETECH	UTILIMASTER CORP. WAKARUSA, INDIANA	TITLE SCHEMATIC DOOR AJAR
	REVISIONS	AUTH	DATE	BY	CHECKED BY JWS	APPROVED BY	CHECKED BY JWS	DATE 18-12-2	<small>THE INFORMATION CONTAINED IN THIS DRAWING IS THE SOLE PROPERTY OF UTILIMASTER CORP. ANY REPRODUCTION IN PART OR AS A WHOLE WITHOUT THE WRITTEN PERMISSION OF UTILIMASTER CORP. IS PROHIBITED.</small> DOCUMENT IS ELECTRONICALLY CONTROLLED. VERIFY REV PRIOR TO USE.	CAGE CODE 56MVC

582324



LEGEND	
◁ BATT ▷	HOT AT ALL TIMES
◁ IGN ▷	HOT IN RUN OR START
◁ ACC ▷	HOT IN ACC OR RUN

PAGE 25-01-25 REV	INITIAL RELEASE	ECN# 5027	AUTH	DATE	BY	CHECKED BY JWS	APPROVED BY	ENGINEER VEE TECH	DRAWN BY VEE TECH	UTILIMASTER CORP. WAKARUSA, INDIANA	TITLE SCHEMATIC # - GROUP NA 582324
								DATE 18-12-2	CAGE CODE 36MVO		

THE INFORMATION CONTAINED IN THIS DRAWING IS THE SOLE PROPERTY OF UTILIMASTER CORP. ANY REPRODUCTION IN PART OR AS A WHOLE WITHOUT THE WRITTEN PERMISSION OF UTILIMASTER CORP. IS PROHIBITED.
DOCUMENT IS ELECTRONICALLY CONTROLLED. VERIFY REV PRIOR TO USE.